

SIUS

Let's tell you about our company...



SIUS AG | Im Langhag 1 | CH-8307 Effretikon | Switzerland
Phone +41 52 354 60 60 | Fax +41 52 354 60 66
www.sius.com | admin@sius.com



Welcome to SIUS



SIUS – since many years worldwide the leading producer of electronic scoring systems for sport, military and police.

Since 1945 when we designed the first visual-acoustic target signalling systems we aim at displaying the scores as fast and accurate as possible.

One of the big steps in this development was the introduction of the electronic target scoring system, capable of accuracy for small bore and airweapons was achieved during the nineties by upgrading the system to four microphones and enhancing the electronic.

During the nineties by upgrading the system to four microphones and enhancing the electronic.

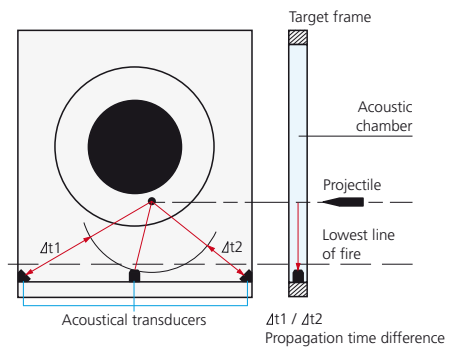
LASERSCORE® – after years of research and development, SIUS has achieved another breakthrough in electronic target systems. The production of the world's first laser electronic scoring target has begun.

During important shooting events, not only the shooters are interested in the results. Thanks to state-of-the-art ranking programs and information technology, the spectators are in the position to watch the competitions shot by shot, in the shooting range as well as at home on television.

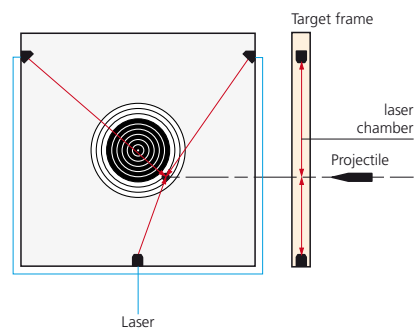
We would like to thank our current customers for their loyalty and welcome all new customers as well. When reliability and precision counts, then SIUS is the right choice!

Hansruedi Walti, Chairman

Measurement acoustic target



Measurement LASERSCORE®



Milestones

- 1949** Foundation of the company **SIUS (Signalling System Uster)** by Robert Schöttli, visual-acoustic signalling systems.
- 1975** Hansruedi Walti patents the first electronic scoring system for big bore rifle with acoustic analysis.
- 1978/79** **Test and approval** of the electronic scoring system for big bore rifle by the Federal Military Department and the International Sport Shooting Federation ISSF (former U.I.T.).
- 1982** **First Shooting World Championships** with electronic scoring systems in Venezuela, followed by Sweden, the USSR, Italy, Spain, Finland, Croatia and the 50th World Championship 2010 in Munich, Germany.
- 1985** **First National Shooting Festival** in Chur, followed by Winterthur, Thun, Bière, Frauenfeld and 2010 in Aarau.
- 1989** **World-wide first electronic scoring system** for small bore rifle and pistol.
- 1990** **World-wide first electronic scoring system** for air rifle and air pistol.
- 1992** **Olympic Games** in Barcelona, followed by Atlanta, Sydney, Athens and Beijing. Also for London 2012 the SIUS-systems will be in use.
- 2010** **LASERSCORE® – World-wide first laser electronic scoring target** for air weapons and small bore rifle.



Our products

SA 941

International sport shooting

Electronic scoring system for all sport shooting disciplines

The electronic scoring system SA 941 has already proved its reliability in numerous important events world-wide.

Control unit and monitor are preprogrammed for all ISSF rifle and pistol disciplines from 10m air rifle and pistol to 300m big bore rifle. Only the target must be changed for different disciplines and distances.



Air rifle and pistol, small bore rifle



LS10 LASERSCORE

Air rifle and pistol, small bore rifle



HS10 HYBRIDSCORE

Air rifle and pistol



S10-LON

50 m Small bore rifle and pistol



S25/50-LON

25 m Small bore pistol



S25/50-LON with lightsignals

Our products

SA 9004

300 m big bore rifle

Electronic scoring system for big bore rifle

Our SA9004 unit (former SA9003 / SA9002 / SA8800) for 300m shooting has proved its reliability in Switzerland and abroad since 1978 in far more than 1'000 shooting ranges.

Simplified control with bar code scanner and fully automatic data acquisition are further advantages of this equipment.



300 m
Big bore rifle



S310-LON

50 m
Big and small bore
rifle and pistol



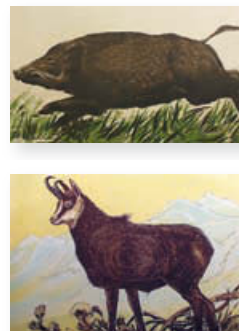
S101-LON

25 m
Big and small bore
pistol



S25-LON

50-300 m
Big and small bore
rifle



Hunting targets



Our products

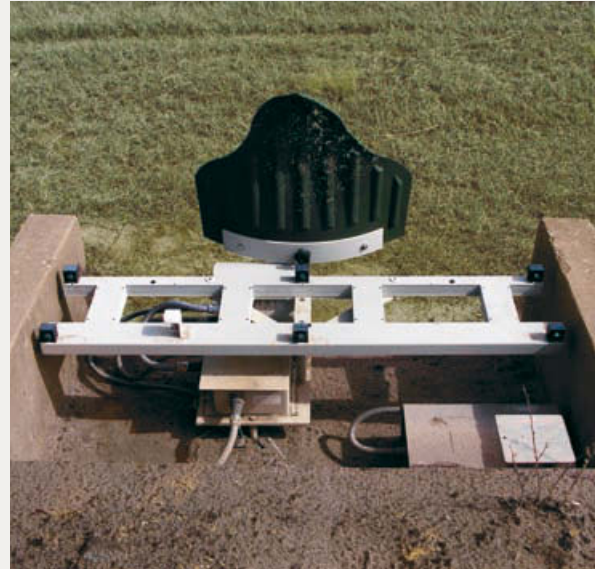
Many fields of applications

Military/Police

Electronic target system for military training

SIUS produces a variety of units which may be used for weapons from 5.56 to 205 mm.

Available are moving or falling targets for small arms or tanks, with «T-Bar» or «Acoustic Eye». These devices locate hit or miss by measurement of the supersonic cone created by the projectile. The systems are employed for basic infantry training in England, France, USA, Scandinavia and many other countries.



SIUSEDP®

Tests of weapons and ammunition

Systems for professional use

This system is used extensively in ammunition plants and weapon factories in Europe and overseas. Detailed shot data and hard copy plotting are essential for quality control and evaluation of weapon and ammunition performance.



Our activities – national...

Installations

In Switzerland more than 12'000 targets are in use in over 1'000 different shooting ranges.



Shooting Festivals

Innumerable Cantonal Festivals have been conducted on shooting ranges equipped with SIUS scoring systems. The national shooting festival in Chur 1985 was followed by Winterthur 1990, Thun 1995, Bière 2000 and Frauenfeld 2005. During some of these events more than 300 SIUS targets were employed and demonstrated the high efficiency and reliability of these devices. SIUS systems have also been used at the national shooting festival 2010 in Aarau.



...and international

Momentous occasions

Our reference list is beyond compare.

Olympic Games

1992 – Barcelona
1996 – Atlanta
2000 – Sydney
2004 – Athens
2008 – Beijing
2010 – Singapore (Youth Olympic)
2012 – London

ISSF World Championships

1982 – First ISSF (U.I.T.) 300m World Championships in Venezuela. Followed by further ISSF World Championships every 4 years: Sweden, Russia, Italy, Spain, Finland, Croatia and 2010 in Munich, Germany.

ESC European Championship

1985 – First ESC 300 m European Championship in Zurich followed by all others every 2 years.

Further Continental Championships

1994 – Asian Games in Japan. Further Continental Championships: e.g. in Indonesia, Thailand, Australia, Malaysia, Dominican Republic, China, Qatar and 2010 in Guangzhou, China.

CISM World Championships

1987 – CISM 300m World Championships in Sweden. Followed by Finland, Chile, Nigeria, USA, Switzerland, Italy, Croatia, Sweden, India and 2010 Rio de Janeiro, Brasil.



World Cups

Munich, Milan, Ft. Benning, Beijing, Seoul und Sydney are just some of the stations where our electronic targets for small bore and air weapons proved their efficiency and reliability.

London 2012 follows Beijing 2008

After Barcelona, Atlanta, Sydney, Athens and Beijing, SIUS systems will also be used at London 2012.

Our operations – internal...

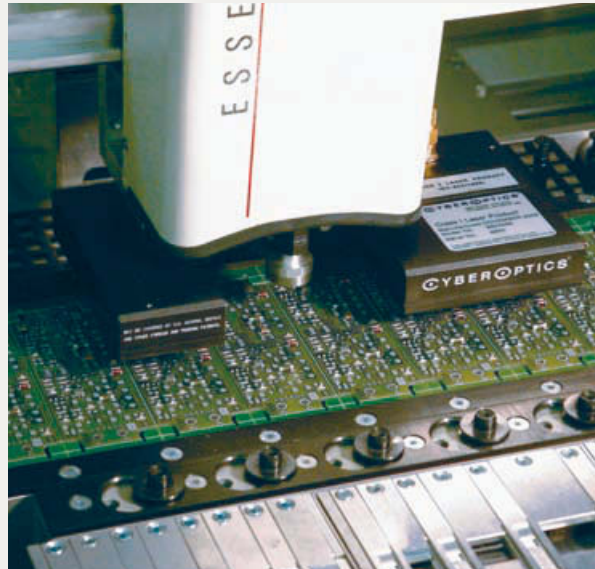
Development

Intensive research and development ensure new and improved products of highest standards at all times.



Production

Advanced technology such as SMD surface mount technology or HA solder technique guarantees consistent product quality.



Inspections and testing

Every SIUS item is produced according to the ISO 9001:2000 terms and meets highest quality standards.



...and external

Sales

Our sales department offers a consultancy service and will advise on the most effective and economical means to satisfy customer requirements.



Installation

Target transfer by helicopter to install equipment in difficult mountain regions.



Service

Our service department operates ten service vehicles, fully equipped for normal and emergency requirements.



Logistics

Placing the spare parts and wear material at the disposal and the despatch world-wide is controlled by state-of-the-art computers and PPS-software of latest generation.



Competition management

As your shooting result provider we offer the whole result services for your competition from the starting list to the final ranking list.

Our most modern software supports the use of result displays, the link to the Internet and the generation of TV signals as well.



Our future



London 2012

The technology used in Beijing 2008 sets standards for the future.

All shooting disciplines

After the success in Beijing, all rifle and pistol disciplines in London are performed on SIUS electronic scoring systems.

Again we shall do our utmost to have the competitions become a memorable event for the shooters as well as for the spectators.

Large SIUS electronic display boards and fast result computers have the shooting sport become attractive and exciting as any other sport.







SIUS

When reliability counts...

SIUS AG | Im Langhag 1 | CH-8307 Effretikon | Switzerland

Phone +41 52 354 60 60 | Fax +41 52 354 60 66

www.sius.com | admin@sius.com