



S25/50

Installation overview
and components

**Worldwide only 25/50m target
with ISSF approval phase 1, 2 and 3**

**Basic configuration of the target
for 25 resp. 50 meters
rifle and pistol**

SIUS AG

Im Langhag 1 | CH-8307 Effretikon | Switzerland
Phone +41 52 354 60 60 | Fax +41 52 354 60 66
www.sius.com | admin@sius.com





like this...

...or like that

Standard configuration

Target S25/50 with basic equipment SA941.

Option

Target S25/50 with Windows based PC/Laptop (32-bit system XP/Vista/7), USB-LON-Dongle and SIUSLANE software (only for 50m pistol and small bore rifle).

> see brochure *SIUSLANE*



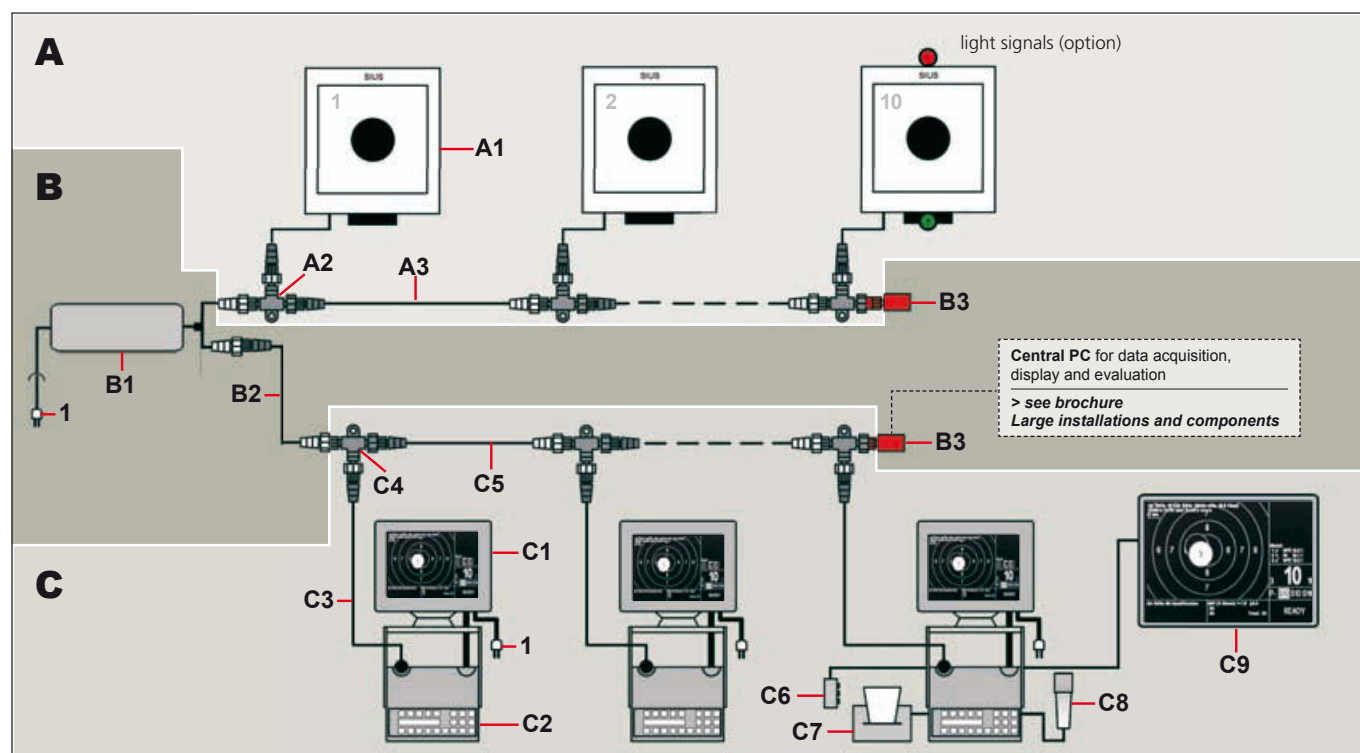
C10



Small bore rifle and pistol installation 25m/50m

Installation overview S25/50

The installation is divided into 3 article groups: article group target line (A), article group for cables and power supply (B) and article group firing line (C). The article group for cables and power supply (B) is designed for 10 lines at the most. In addition, power supply cables are required (connection cable: device to country specific plug) (Pos. 1). **For all 25m disciplines the installation is additionally equipped by a time control unit TCU and light signals** (page 8–9).

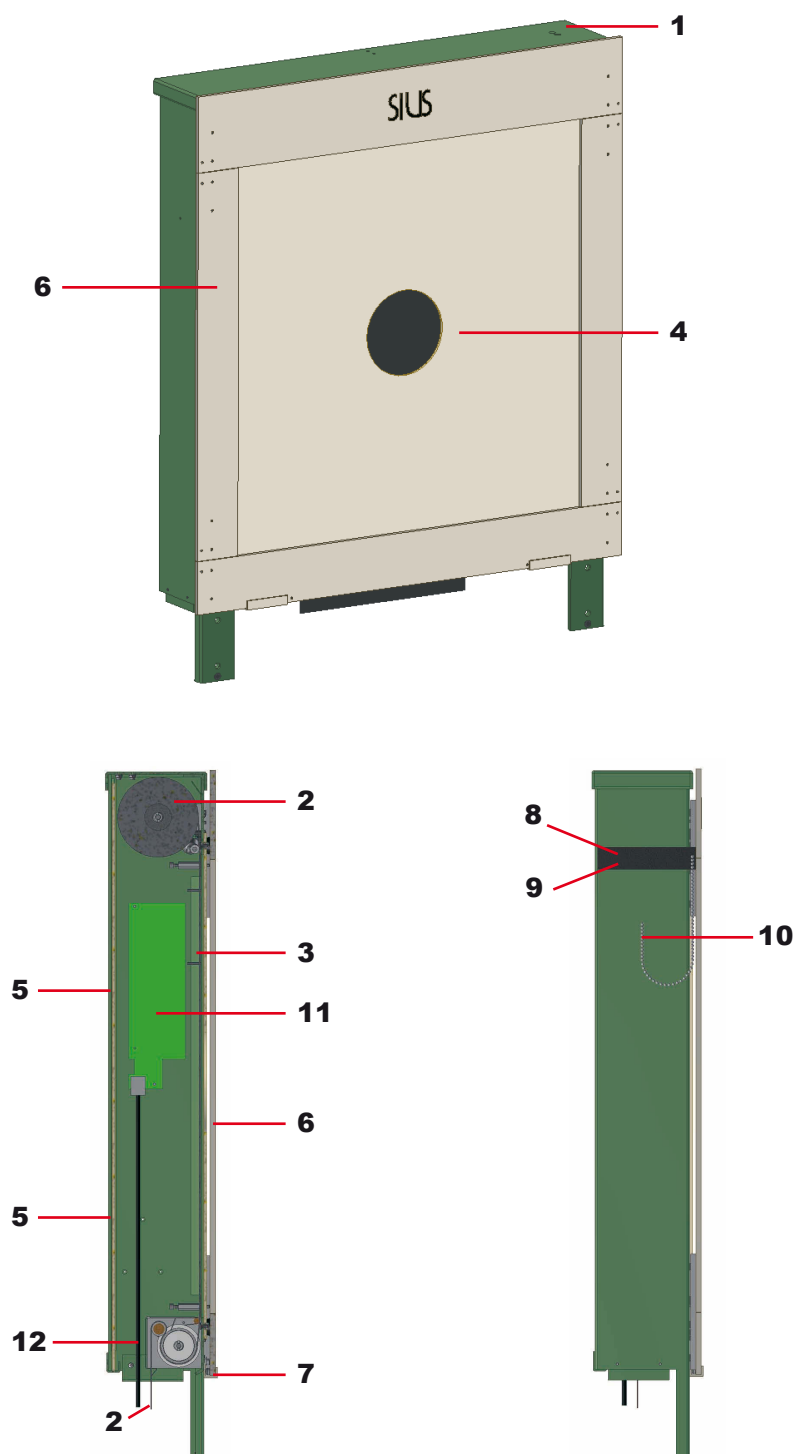


Pos.	Article no.	Pcs.	Description
A Article group target line			
A1	S25/50-LON	1	Target 25m resp. 50m
A2	KL001-T	1	T-Adapter fem/fem/male LTW IP67
A3	KL001-2.0	1	Cable LTW male-fem 2.0m
B Article group cables and supply			
B1	NT211V0	1	Power supply for 10 lines 225W with LTW 230V
B2	KL001-40.0	1	Cable LTW male-fem 40.0m (for 25m)
B2	KL001-65.0	1	Cable LTW male-fem 65.0m (for 50m)
B3	KL001-R	2	Terminating resistor, red, male LTW IP67
C Article group firing line			
C1	M941	1	Monitor TFT 10.4" (26cm)
C2	CU941-CLUB	1	Control unit, for clubs, schools etc. (ISSF approval phase 1 and 2)
C2	CU941-ISSF	1	Control unit, with software for ISSF competitions (ISSF- approval phase 1, 2 and 3)
C3	KL003-2.0	1	Cable LTW male-RJ45 2.0m
C4	KL001-T	1	T-Adapter fem/fem/male LTW IP67
C5	KL001-2.0	1	Cable LTW male-fem 2.0m
C6	RC941	1	Remote control RC941
C7	D112-N	1	Thermal printer incl. power supply (option)
C8	AAG133	1	Barcode scanner (option)
C9			Monitor for spectators (on request)
C10	SNI210	1	USB-LON-Dongle incl. SIUSLANE software (option with PC/Laptop)
1	Reference		Country-specific power supply cable > page 11

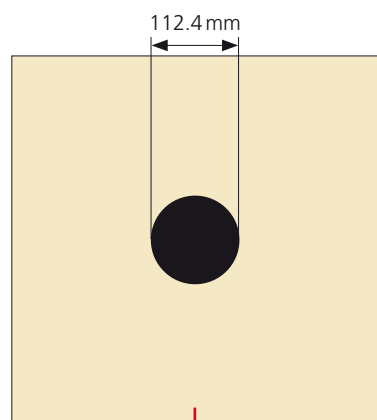
Target for small bore rifle and pistol, S25/50

The target S25/50 is designed for use with all **lead** ammunition for **small bore** pistols and rifles at distances of either 25m or 50m. The same targets are used for both distances. For the pistol disciplines of 25m, the target boards are equipped with red/green light signals. The installation also includes the time control unit set (see page 8).

If equipped with a **reinforced front frame** (see page 10) and a **corresponding bullet trap**, the S25/50 can also be used for big bore **steel projectiles** (e.g. Parabellum 9mm).

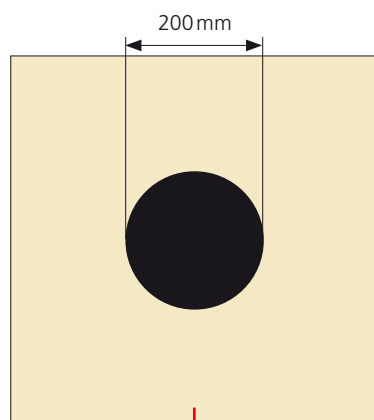


ISSF small bore rifle
target front mask 50m



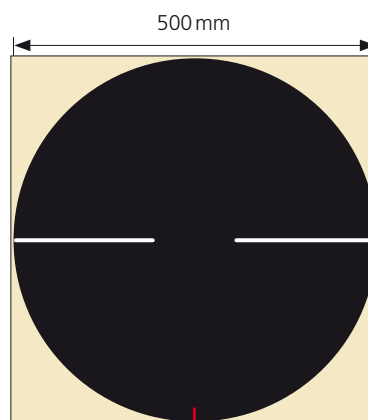
4a

ISSF precision pistol
target front mask 25/50m



4b

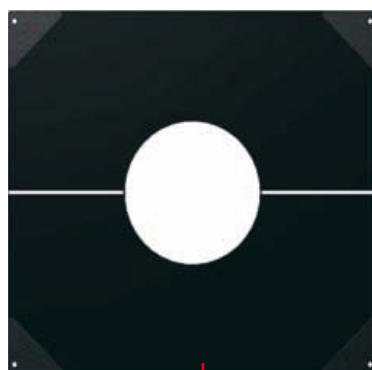
ISSF rapid fire pistol
target front mask 25m



4c



2

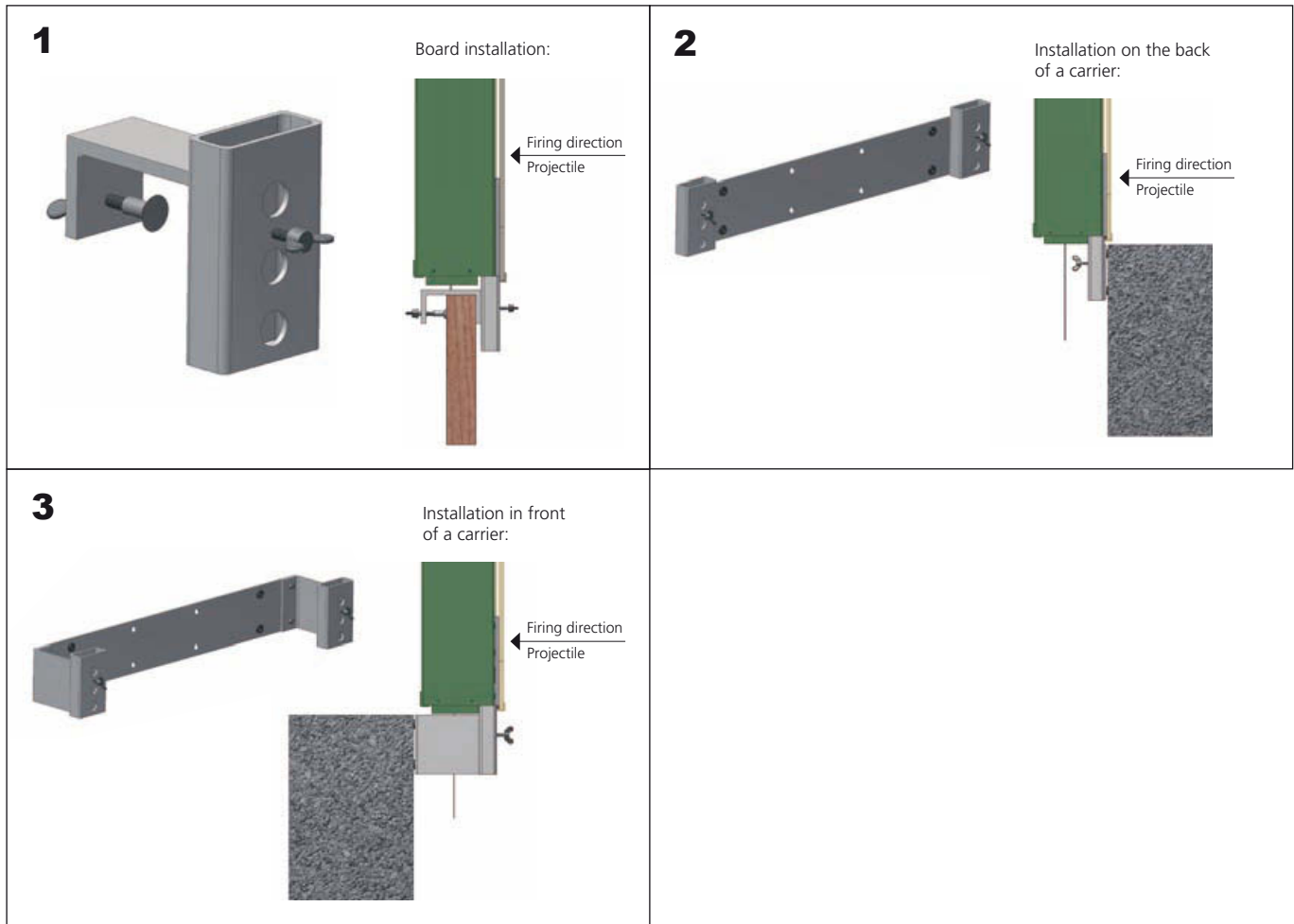


3

Pos.	Article no.	Description
Target S25/50		
1	S25/50-LON	Complete target incl. reinforced front frame for small bore weapons incl. cable LTW male-RJ45 2.0m. Size (BxHxT): 630x775x125mm, weight: 12.6 kg (without accessory), Consumption: 7.6W, detection surface: 510x510mm.
Optional accessory and spare parts		
2	S50D001	Consumable rubber strip rolled with catch, 5.5m
3	S50D008	Rubber membrane with white aiming line (25m rapid fire pistol), blank on back side (small bore rifle/pistol)
4a	S50A030	ISSF small bore rifle target front mask (installed)
4b	S50A031	ISSF precision pistol target front mask (optional)
4c	S50A033	ISSF rapid fire pistol target front mask (optional)
5	S50A038	Backing target S25/50
6	S25/50D012	Aluminium front frame for small bore weapons
7	S50A006	Reinforced front fram holder
8	S25/50A012	Fixed velour fleece strip (to fix reinforced front frame)
9	S25/50A011	Fixed velour bubble type strip (to fix target)
10	S50A037	Bullet chain Ø 3.6mm, 14cm
11	LMEB001V1	Print LON measurement electronics for S25/50
12	KL003-2.0	Cable LTW male-RJ45 2.0m

Target holders

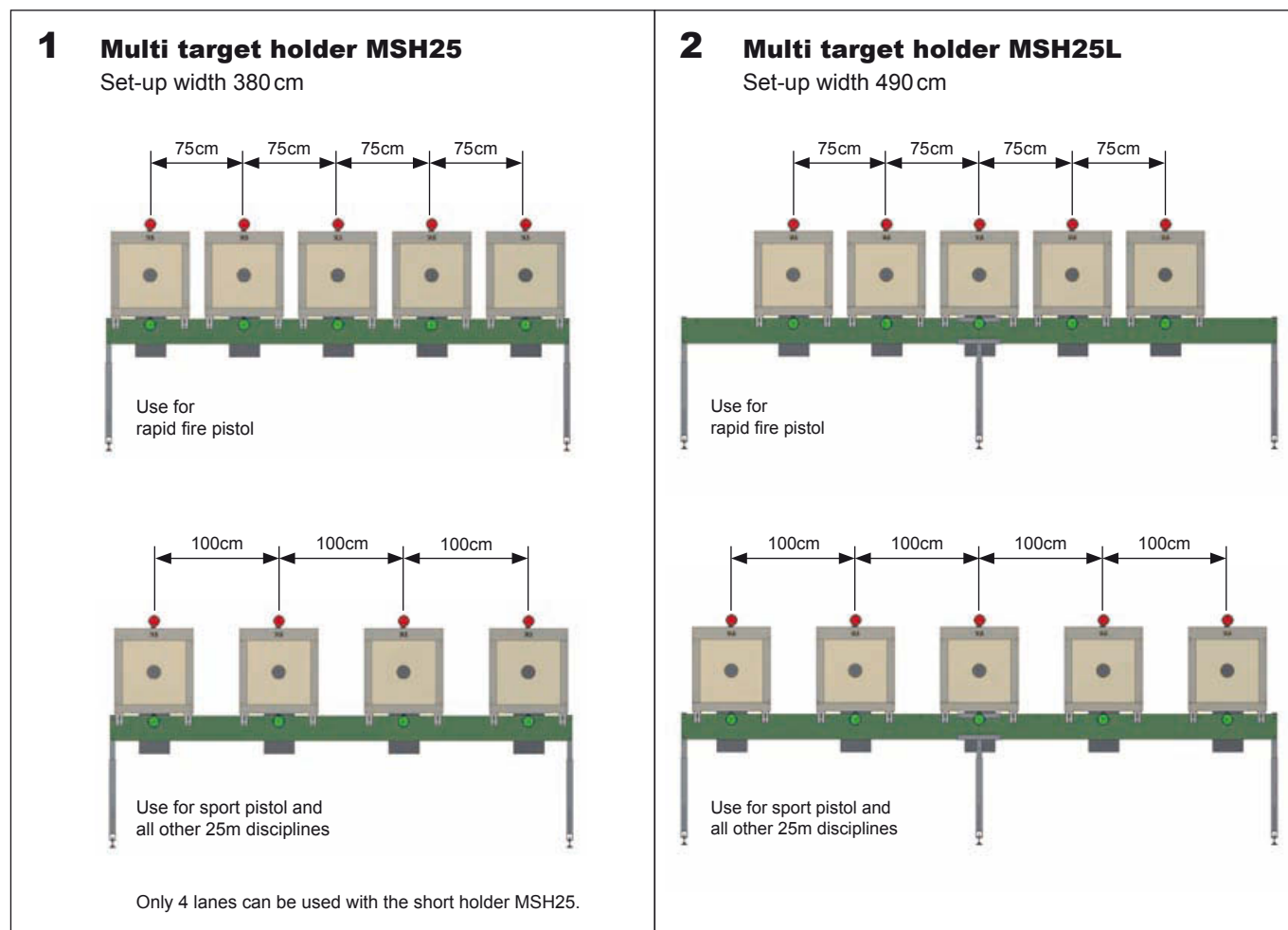
Various target holders make various types of mounting possible for the S25/50 targets and the reinforced front frames PPS10. When mounting the holders, care must be taken that holder and carrier are acoustically separated from each other. All articles in the sets are also available separately.



Pos.	Article no.	Description
Target holder for S25/50		
1	HS25	Target holder set S25/50 for board installation. The target holder set HS50D003 is suitable for the installation of targets on a carrier beam or a board with a thickness of 40–50mm. The set contains all parts for the installation of a target.
2	HS50D001	Target holder set S25/50 for installation on the back of a carrier. The rubber joints of the mounting plate prevent the transmission of the noise onto the neighbouring targets, which means that this holder is also suitable for installation on steel and concrete. The set contains all parts for the installation of a target.
3	HS50	Target holder set S25/50 for installation in front of a carrier. The distance profile ensures a free run of the rubber strip. The rubber joints of the mounting plate prevent the transmission of the noise onto the neighbouring targets, which means that this holder is also suitable for installation on steel and concrete. The set contains all parts for the installation of a target.

Multi target holder

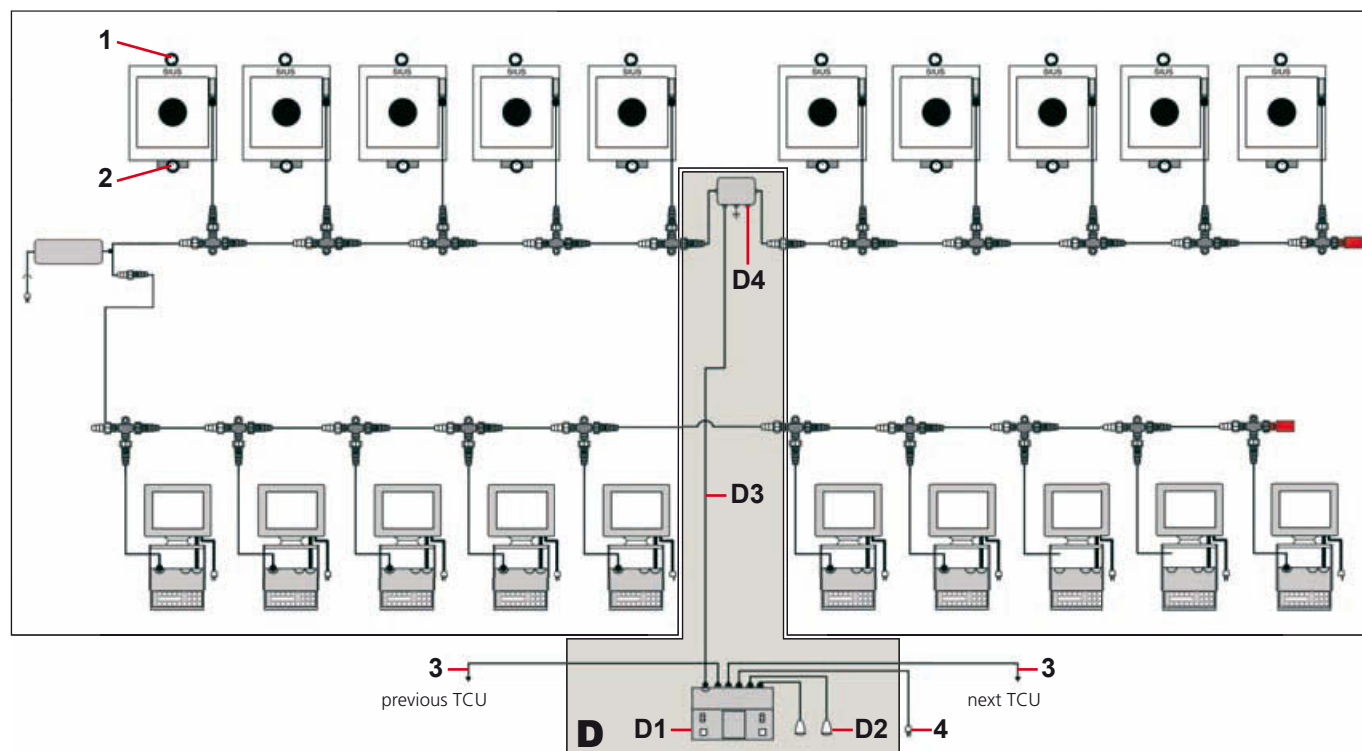
The targets S25/50 can be mounted on the multi target holders MSH25 and MSH25L. The two holders differ in their set-up width (490 resp. 380 cm). The set-up of the individual targets is carried out with the aid of the target holder HS25. The targets can be displaced along the board.



Pos.	Article no.	Description
Multi target holder for S25/50		
1	MSH25	Multi target holder for rapid fire pistol, sport pistol and CISM, set-up width 380 cm. The multi target holder MSH25 has been specially developed for rapid fire in which 5 targets are mounted and the distance from target center to target center must be 75cm. Except for rapid fire, one target must be removed for all 25m disciplines for which the ISSF regulations stipulate a distance of 100cm. In order that the conversion between the various disciplines can be carried out with the least possible difficulty and that all 5 targets can be used, we particularly recommend the use of the multi target holder MSH25L. The short multi target holder MSH25 should only be used when the use of the longer multi target holder MSH25L is not possible because of construction circumstances.
2	MSH25L	Multi target holder for rapid fire pistol, sport pistol and CISM, set-up width 490 cm. The multi target holder MSH25L is suitable for rapid fire pistol as well as for all other 25m pistol disciplines. In contrast to the multi target holder MSH25, five targets can be mounted on this holder for every regulated discipline. For this reason we recommend using the multi target holder MSH25L wherever possible.

Additional light signals – installation overview

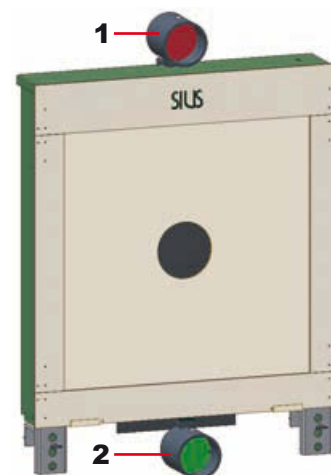
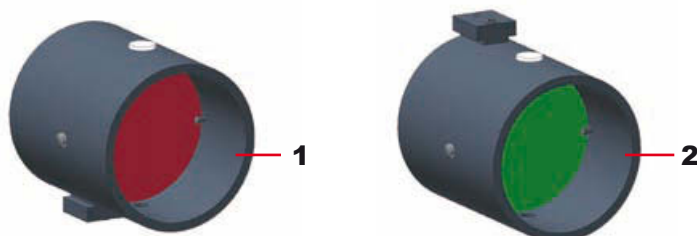
For the 25m pistol disciplines, the targets are equipped with red/green light signals. The time control unit TCU25 with corresponding components are used for controlling these light signals. Several time control units (TCU25) can be connected and synchronized with a cable (Pos.3). The desired length of this cable must be specified when ordering.



Pos.	Article no.	Pcs.	Description
D	Article group time control 25m LTW		
D1	TCU25	1	Time control unit 25m installation
D2	TCU25A501	2	Cable with external start button
D3	KT014-40	1	TCU cable for VJ45LS, 40m
D4	VK-LTW2	1	Distribution box 2 LTW / light signal
1	RFP25D004	1	Light signal RED (top)
2	RFP25D005	1	Light signal GREEN (bottom)
3	KP016-20	1	Bus connecting cable TCU-TCU
4	Verweis		Country specific power supply cable > page 11

Light signals for S25/50

The targets S25/50 are equipped for the installation of red/green light signals, as used for 25m disciplines. All cables are installed, the signals can be pushed into the prepared holders and the cables plugged in. The time control unit TCU25 is required for controlling the light signals.



Pos.	Artikel-Nr.	Bezeichnung
Light signals for S25/50		
1	RFP25D004	Light signal RED (top) Size (WxHxD): 90x102x100mm
2	RFP25D005	Light signal GREEN (bottom) Size (WxHxD): 90x102x100mm

Time control unit TCU25

The time control unit TCU25 controls the red/green light signal installation of the targets for 25m disciplines. The brightness of the red and green lights can be adjusted separately at the time control unit. All the international 25m pistol disciplines in accordance with ISSF and CISM are programmed in the time control unit. The device contains two independent channels. Each channel can control from 5 to a maximum of 20 targets. In addition, a country specific cable (Pos. 2) for the power supply is required.



PROGRAMS RED GREEN

► Menu 1 (1 Flash)

0 = «Select Menu 2»; Press «START»	7"	150"
1 = Standard	7"	20"
2 = Standard	7"	10"
3 = Standard/CISM	7"	8"
4 = CISM	7"	6"
5 = CISM	7"	6"
6 = RFP	3"	8"
7 = RFP	3"	6"
8 = RFP	3"	4"
9 = Precision Pistol	7"	300"
A = Malfunction	7"	240"
B = Malfunction	7"	180"
C = Malfunction	7"	120"
D = Malfunction	7"	60"
E = Rapid Fire 5x	7"	3"
F = 1 Shot	3"	1.2"

► Menu 2 (2 Flashes)

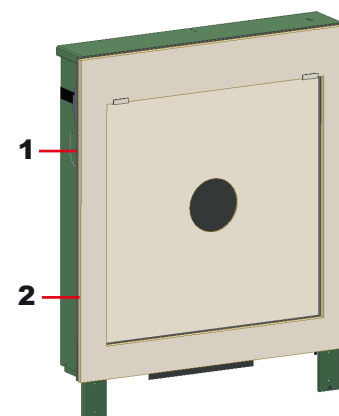
0 = «Select Menu 1»; Press «START»	7"	150"
1 = Standard	7"	20"
2 = Standard	7"	10"
3 = Standard	7"	10"
4 = Special	7"	30"
5 = Special	7"	40"
6 = Special	7"	50"
7 = Special	7"	60"
8 = Special	7"	90"
9 = Precision Pistol	7"	360"
A = Rapid Fire 5x	7"	3"
B = 5-Shot Air Pistol	0"	10"
C = RFP Final	7"	4"
F = Sighting Malfunction	7"	120"

Pos.	Article no.	Description
Time control unit TCU25 for S25/50		
1	TCU25	Time control unit 25m installation Size (WxHxD): 300x160x300mm, weight: 3.8 kg Consumption: 150W _{max}
	Verweis	Country specific power supply cable > page 11

Reinforced front frame for large calibre ammunition without light signals for S25/50

A reinforced front frame is necessary for the protection of the S25/50 when using steel and big bore projectiles (up to a maximum of 600 Joules). The reinforced front frame is composed of a steel frame for main protection and a supplementary plywood panel that serves as protection from ricochets.

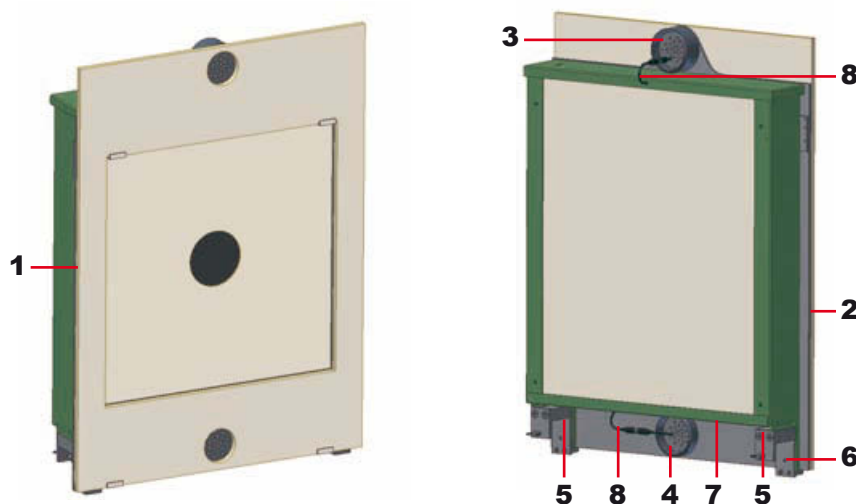
The reinforced front frame is used instead of the aluminium frame.



Pos.	Article no.	Description
Reinforced front frame for large calibre ammunition without light signals for S25/50-LON		
1	S25/50D014	Reinforced front frame for large caliber ammunition without light signals for S25/50 (Hardox)
Spare parts		
2	PS25/50A017	Ply wood front frame panel for S25/50 without holes for light signals

Reinforced front frame for large caliber ammunition with integrated light signals for S25/50

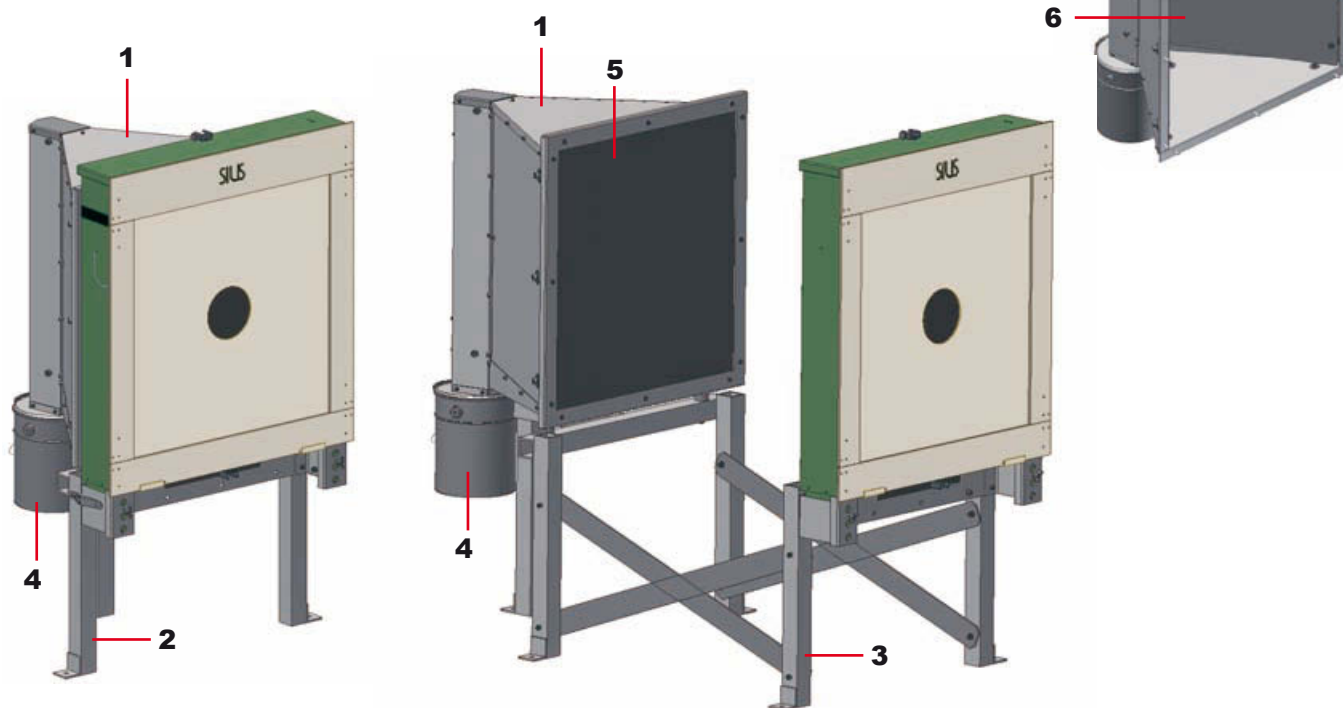
A reinforced front frame is necessary for the protection of the S25/50 when using steel and big bore projectiles (up to a maximum of 600 Joules). The reinforced front frame is composed of a steel frame for main protection and a supplementary plywood panel that serves as protection from ricochets. The red/green light signals are protected and installed behind the frame. They are supplied together with the target holders and the reinforced front frame.



Pos.	Article no.	Description
Reinforced front frame with integrated light signals for S25/50		
1	PS25/50	Reinforced front frame with integrated light signals Size (WxHxD): 630x864x140mm
Spare parts		
2	PS25/50A016	Ply wood front frame panel S25/50 with holes for light signals
3	PS25/50D003	LED print for upper light signal PS25/50 (red)
4	PS25/50D004	LED print for lower light signal PS25/50 (green)
5	PS25/50D002	Complete target holder
6	AMS6-08X16	Hexagon screw M8x16
7	S25/50A014	Cover bottom side
8	PS25/50A501	Red/green cable extension, plug male-female (optional)

Bullet trap for small caliber bullets

A special bullet trap has been developed for small bore weapons. This allows bullets to be caught in a very simple manner. The bullet trap includes a stand on which the bullet trap and the target are mounted.



Pos.	Article no.	Description
Bullet trap for target S25/50		
1	KFS50	Bullet trap for target S25/50
2	KS50	Combined stand for target S50
3	KS50V2R0	Combined stand for target S50 (ISSF directive for installation of the bullet trap = 1m distance)
Replacement and spare parts		
4	AMA173	Galvanized bullet bucket Ø 160 / 148 x 195 mm
5	KFS50A009	Sound absorber plate 586 x 566 x 8 mm
6	KFS50D001	Pre-installed deflector

Country specific power supply cables

The connection between device and socket is achieved with the use of country specific power supply cables. This is provided with the device coupling on one side and with a country specific plug on the other side.



Pos.	Article no.	Description
1	AA101	Power supply cable with GB plug, 2m
2	AA102	Power supply cable with USA plug, 2m
3	AA109	Power supply cable with CH plug, 2m
4	AA110	Power supply cable with Euro plug, 2m
5	AA126	Power supply cable with AUS plug, 2m



SIUS AG, Im Langhag 1, CH-8307 Effretikon / Switzerland

Phone ++41 52 354 60 60, Fax ++41 52 354 60 66, www.sius.com, info@sius.com

EUROPE

Austria

Fröwis KEG Schiessstandtechnik
Vorstadt 3, **6800 Feldkirch**
Phone ++43 5522 72459
Fax ++43 5522 75087
www.froewis.co.at
froewis@froewis.co.at

Belgium

Micotec, M. Michel Hannick
198, Rue Henri Maus, **4000 Liège**
Phone ++32 4 253 33 98
Fax ++32 4 252 87 33
info@micotec.be

Croatia

RS Sport, Mr. Roman Spirelja
Stubicka ulica 74, **10000 Zagreb**
Phone ++385 1 5634 535
Fax ++385 1 3648 898
roman.spirelja@sius.com

Cyprus

Lapsi Technology Ltd.
P.O. Box 2198, **Nicosia**
Phone ++357 275 12 64
or ++357 275 12 68
Fax ++357 275 12 67

Denmark

SIUS Danmark, Finn Danielsen
Nattergalevej 11, **8210 Arhus**
Phone ++45 86 10 57 62
or ++45 22 90 71 62
www.sius.dk, info@sius.dk

France

S3M Shooting Sport Service
M. Christian Dandrey
1, Rue Jean Becquerel
77300 Fontainebleau
Phone ++33 1 64 22 35 29
Fax ++33 1 64 22 16 45
Mobile ++33 6 85 56 48 13
christian.dandrey@wanadoo.fr

Germany

Johannsen Schiessstandtechnik GmbH
Im Tiefenbach 3, **35088 Battenberg**
Phone ++49 6452 933 20
Fax ++49 6452 933 21 63
www.johannsen.de, info@johannsen.de

Italy

Aspeco S.R.L.
Via Guiseppe Sacconi 19
Pal. E – Scala A, **00196 Roma**
Phone ++39 06 32 43 210
Fax ++39 06 32 11 08 26
Mobile ++39 348 410 37 83

Netherlands

Nedinsco BV
Jan van Riebeeckweg 5, **5928 LG Venlo**
P.O. Box 40, **5900 AA Venlo**
Phone ++31 77 355 8777
Fax ++31 77 351 8787
www.nedinsco.com

Norway

El-Score, Mr. Ottar Dalset
Romsdalsveien 6, **6300 Andalsnes**
Phone ++47 911 29 200
or ++47 712 23 918
dalset-o@online.no

Portugal

Siatron Electrónica Profissional Lda
Rua Júlio Dinis, 6-7° esq
2685-215 Portela
Phone ++351 21 943 0454
Fax ++351 21 943 1945
www.tradesegur.com
siatron@mail.telepac.pt

EUROPE

Spain

Tradesegur S.A.
C/ La Granja, 30
Pol. Ind. Alcobendas, **28014 Madrid**
Phone ++34 91 360 51 23
Fax ++34 91 523 12 27
www.tradesegur.com
comercial@tradesegur.com

Sweden

SIUS Miatron AB
Målbyvägen 26, **722 33 Västerås**
Phone ++46 21 600 13
Fax ++46 21 600 13
Mobile ++46 70 565 00 02
www.sius.se
kjell.pettersson@miatron.se

Turkey

ALA International, Mr. Ata Alper
Turgutlu Sokak 48/2, **06570 Gop Ankara**
Phone ++90 312 446 88 95
Fax ++90 312 446 79 71
www.alainter.com, ataalper@alainter.com

MIDDLE EAST

Egypt

City Trade Service, Mr. Sherif Mohsen
86 Gusir El Suez St., Heliopolis
11331 Kairo
Phone ++20 2 258 52 41
Fax ++20 2 256 27 41

United Arab Emirates

Mr. Joseph Robehmed
P.O. Box 41007, Villa 207/Street No. 28
Abu Dhabi
Phone ++971 4 394 8464
Fax ++971 4 394 6322
Mobile ++971 5 0622 9488

ASIA

Bangladesh

Vision Trade International
Mr. Asif Hossain
Modern Mansion (4th floor)
53, Motijheel CA, **1000 Dhaka**
Phone ++880 2 956 10 81
Fax ++880 2 956 52 89
vision@agni.com

China

Beijing Holy Brother Commercial Co. Ltd.
Mr. Jian Xue Hua
Room 1707 Sohu, 88 Jianguo Road
Chaoyang District, **Beijing 100022**
Phone ++86 10 8589 8677
Fax ++86 10 6551 2052

India

Tremendous Shooting Industries
Mr. Kamal Sain
Mandi Chowk, Ganesh Street
Moradabad 244001
Phone ++91 999 779 81 77
tremendousshooting.com
info@tremendousshooting.com

Indonesia

PT Antelope Business Indonesia
c/p Ms. Yuniarti Ilyas Senayan
Shooting Range 1st Floor
Gelora Bung Kamo Sport Complex
Jakarta 10270
Phone ++62 811 818 755
www.antelopebiz.com
sales@antelopebiz.com

ASIA

Japan

Japan Beam Co., Ltd., Mr. A. Kuroiwa
Level 28, Shinagawa Intercity Tower A
2-15-1, Konan, Minato-ku **Tokyo 108-6028**
Phone ++81 3 6717 4256
Fax ++81 3 6717 4257
www.japanbeam.com
info@japanbeam.com

Malaysia

Munora Holdings, Mr. Musa Khatib
P.O. Box 12483, No. 26 Jalan Lumut
Damai Kompleks, **50780 Kuala Lumpur**
Phone ++603 442 1122
or ++603 442 0634 or ++603 442 4703
Fax ++603 442 6152

South Korea

SwiTech Co., Ltd.
4th Floor Raipang Building
66-26, Nonhyun-Dong, Kangnam-Ku **Seoul**
Phone ++82 2 576 8283
Fax ++82 2 576 8189
Mobile ++011 587 8775
www.siuskorea.co.kr
kibong@siuskorea.co.kr

USA

United States of America

SIUS Target Systems USA, Inc.
Mr. Jeff Douglas
3025-A McNaughton Road
Columbia, South Carolina 29223
Phone ++1 803 699 1800
Fax ++1 803 699 0038
Mobile ++1 803 315 8807
siustgtsys@aol.com

Shot Response, LLC,
Mr. Glenn Goodwin
124 Meat Plant Road
Lexington, South Carolina 29073
Phone ++1 803 319 8682
Fax ++1 803 808 3300
www.shotresponse.com
info@shotresponse.com

SOUTH AMERICA

Chile

Sr. Mario Basualdo Misto
Valenzuela Puelma No 7761-B
La Reina, **Santiago**
Phone ++56 2 813 1342
Fax ++56 2 273 7897

Mexico

Sistemas e Ingeniería de Calidad S.A. de C.V.
Sr. Carlos Martínez Negrete C.
Av. Jorge Alvarez del Castillo 1135-12
Guadalajara Jal.
Phone ++52 33 3853-0342
Fax ++52 33 3137-9067
carman@prodigy.net.mx

Peru

Amézaga Representaciones S.A.
Sr. Carlos F. Amézaga
Justo Vigil 380, Magdalena del Mar
Lima 3217
Phone ++51 1 264 0297

Venezuela

CODARCA, Sr. Alfredo S. Torrealba
Av. Libertador con Av. Sorocaima
Edif. Edifica, Piso 2, Ofic. 2-A,
El Rosal Municipio Chacao, **Caracas**
Phone ++58 212 951 54 27
Fax ++58 414 272 33 91