

# S10

**Installation overview  
and components**

**Worldwide only 10m target  
with ISSF approval phase 1, 2 and 3**

**Basic configuration of the target  
for airguns and small bore rifles**

### SIUS AG

Im Langhag 1 | CH-8307 Effretikon | Switzerland  
Phone +41 52 354 60 60 | Fax +41 52 354 60 66  
[www.sius.com](http://www.sius.com) | [admin@sius.com](mailto:admin@sius.com)



like this...

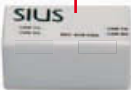
...or like that



**Standard configuration**  
Target S10 with basic equipment SA941.

**Option**  
Target S10 with Windows based PC/Laptop (32-bit system XP/Vista/7), USB-LON-Dongle and SIUSLANE software.  
> see brochure *SIUSLANE*

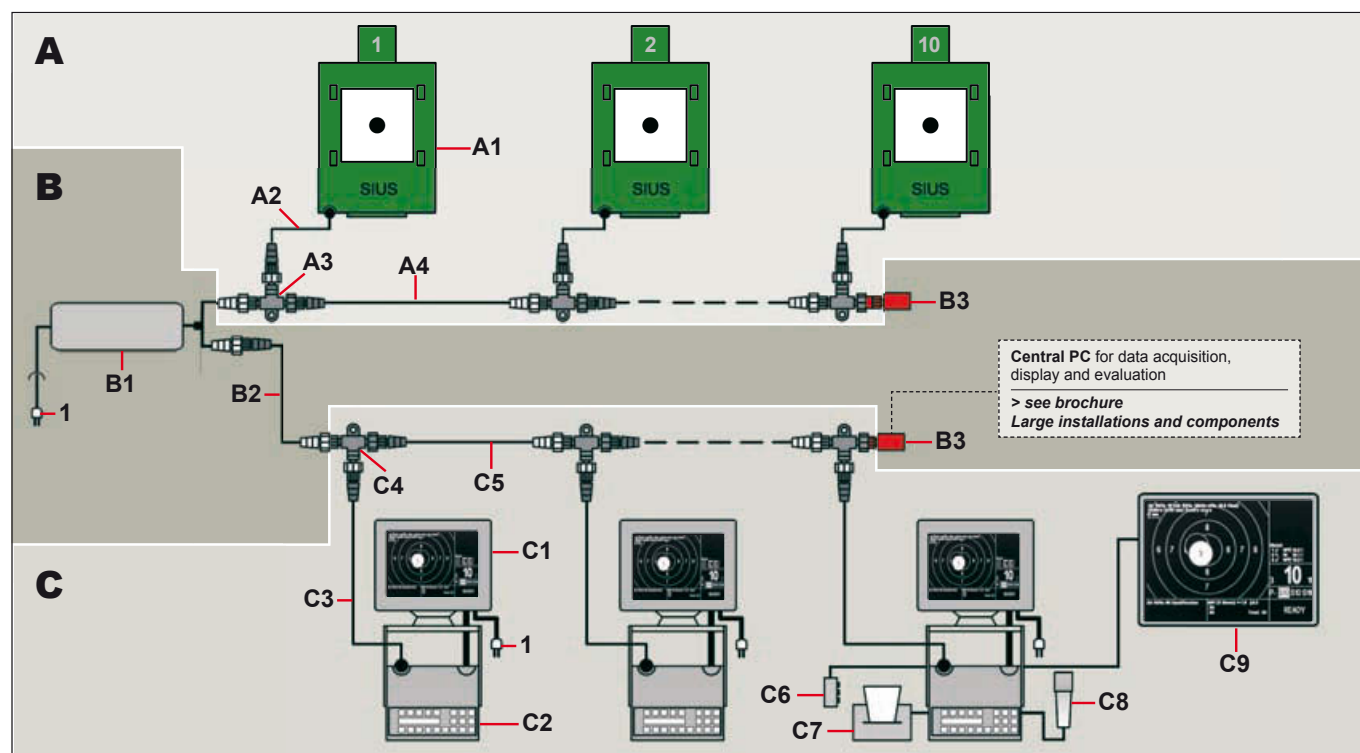
C10



## Air rifle/air pistol installation 10m and small bore rifle installation 50m

### Installation overview LS10

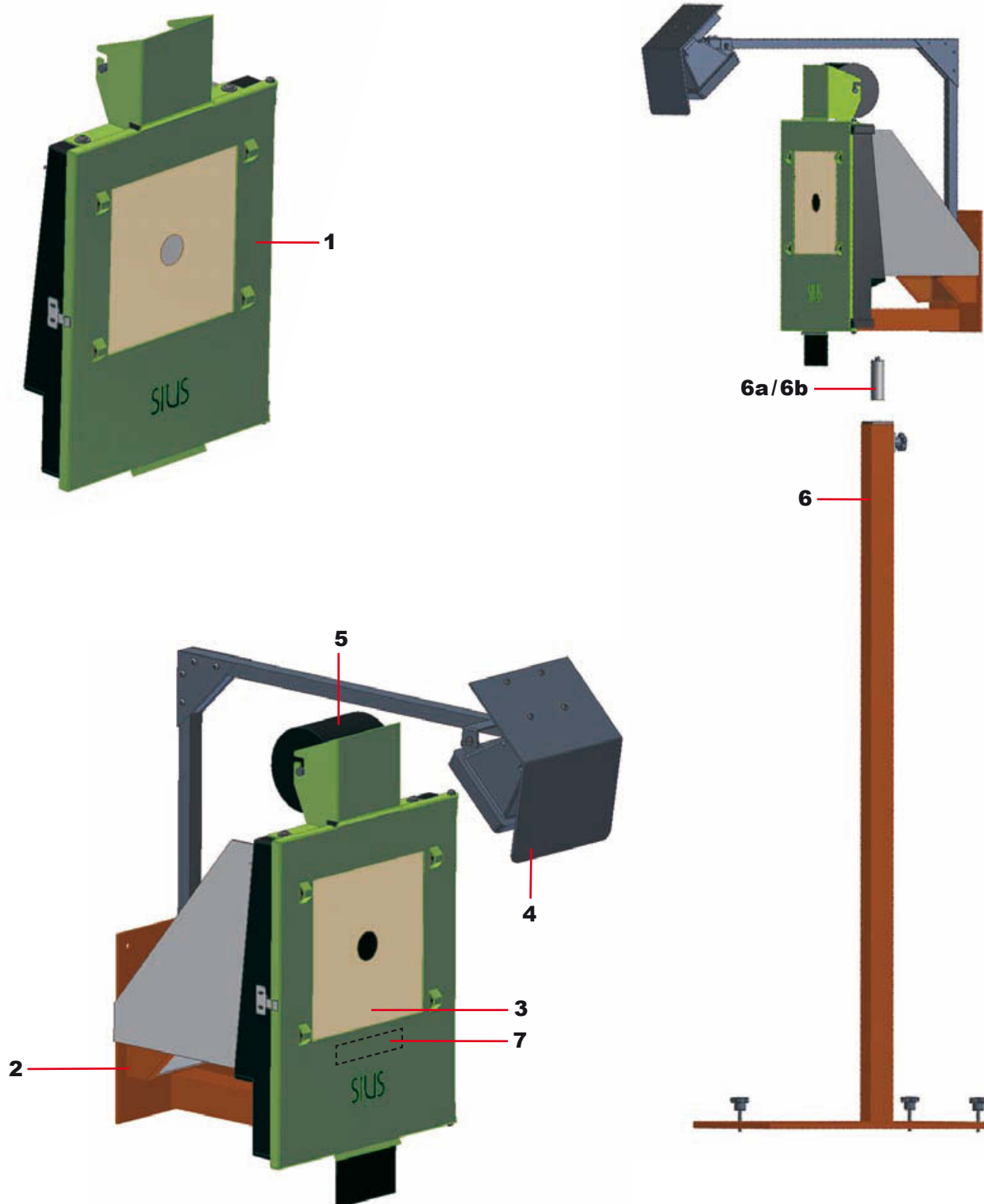
The installation is divided into 3 article groups: article group target line (A), article group for cables and power supply (B) and article group firing line (C). The article group for cables and power supply (B) is designed for max.10 lines. In addition, power supply cables are required (connection cable: device to country specific plug) (Pos. 1).



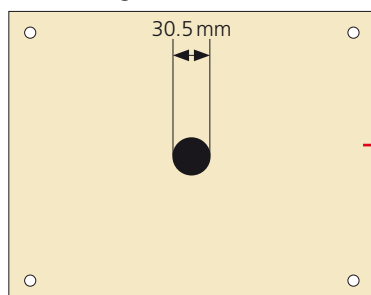
Pos.	Article no.	Pcs.	Description
<b>A Article group target line</b>			
A1	S10-LON	1	Target 10m resp. 50m
A2	KL003-2.0	1	Cable LTW male-RJ45 2.0m
A3	KL001-T	1	T-Adapter fem/fem/male LTW IP67
A4	KL001-2.0	1	Cable LTW male-fem 2.0m
<b>B Article group cables and power supply</b>			
B1	NT211V0	1	Power supply for 10 lines 225W with LTW 230V
B2	KL001-20.0	1	Cable LTW male-fem 20.0m (for 10m)
B2	KL001-65.0	1	Cable LTW male-fem 65.0m (for 50m)
B3	KL001-R	2	Terminating resistor, red, male LTW IP67
<b>C Article group firing line</b>			
C1	M941	1	Monitor TFT 10.4" (26cm)
C2	CU941-CLUB	1	Control unit, for clubs, schools etc. (ISSF approval phase 1 and 2)
C2	CU941-ISSF	1	Control unit, with software for ISSF competitions (ISSF- approval phase 1, 2 and 3)
C3	KL003-2.0	1	Cable LTW male-RJ45 2.0m
C4	KL001-T	1	T-Adapter fem/fem/male LTW IP67
C5	KL001-2.0	1	Cable LTW male-fem 2.0m
C6	RC941	1	Remote control RC941 (option)
C7	D112-N	1	Thermal printer incl. power supply (option)
C8	AAG133	1	Barcode scanner (option)
C9			Monitor for spectators (on request)
C10	SNI210	1	USB-LON-Dongle incl. SIUSLANE software (option with PC/Laptop)
1	Reference		Country-specific power supply cable > page 7

## Target for air rifles / air pistols, S10-LON

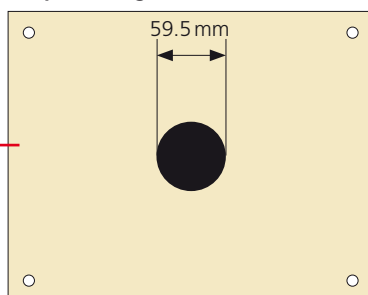
The target S10 is designed for all airguns (distance from 10 to 20 meters). The four-microphone detection system guarantees the highest scoring precision.



Air rifle target front mask 10m



Air pistol target front mask 10m



3

Paper tape roll (shot verification)



5

Pos.	Article no.	Description
<b>Target S10</b>		
1	S10-LON	Complete target incl. reinforced front frame for airguns. Size (WxHxD): 275x445x75mm, weight: 2.4 kg (without accessory), Consumption: 7.6W, detection surface: 170x170mm.
<b>Optional accessory and spare parts</b>		
2	WHS10	Target holder for mounting on the floor or on the wall, incl. bullet trap for airguns. Size (WxHxD): 200x200x190 mm, weight: 3.5 kg (without target).
3	S20A022/10 S20A023/10	ISSF air rifle target front mask, bulls eye Ø 30.5mm (10 pcs.) ISSF air pistol target front mask, bulls eye Ø 59.5mm (10 pcs.)
4	BLS10 BLS10V1  AE136 AE160	Halogen illumination for S10, complete, for 230V AC. Halogen illumination for S10, complete, for 110V AC The target S10 can be installed with the wall-mounted target holder WHS10 and the target illumination BLS10. Two different halogen bulbs are available for this purpose, depending on the operating voltage (110V or 230V). Size (WxHxD): 150x370x530mm, weight: 2.51kg (without target), Consumption: 75W Halogen bulb, 230V Halogen bulb, 110V
5	S20D001	Paper tape roll for shot verification (ISSF competitions)
6	BSS10	Pedestal for S10. The pedestal BSS10 permits free set-up of the S10. The target can be fixed on directly with its fastening pin. If a wall-mounted target holder and a bullet trap are also used, an additional mounting mandrel (6a) is necessary, which is fastened with the countersunk screw (6b) to the cross beam of the wall-mounted target holder. Size (WxBxD): 300x1175x400mm, weight: 13.5kg (without target), center of target: 140cm.
6a	WHS20A004	Mounting mandrel for WHS10
6b	AMSSI08X70	Countersunk screw with hexagon socket
7	LMEB001V0R5	Print LON measurement electronics for S10

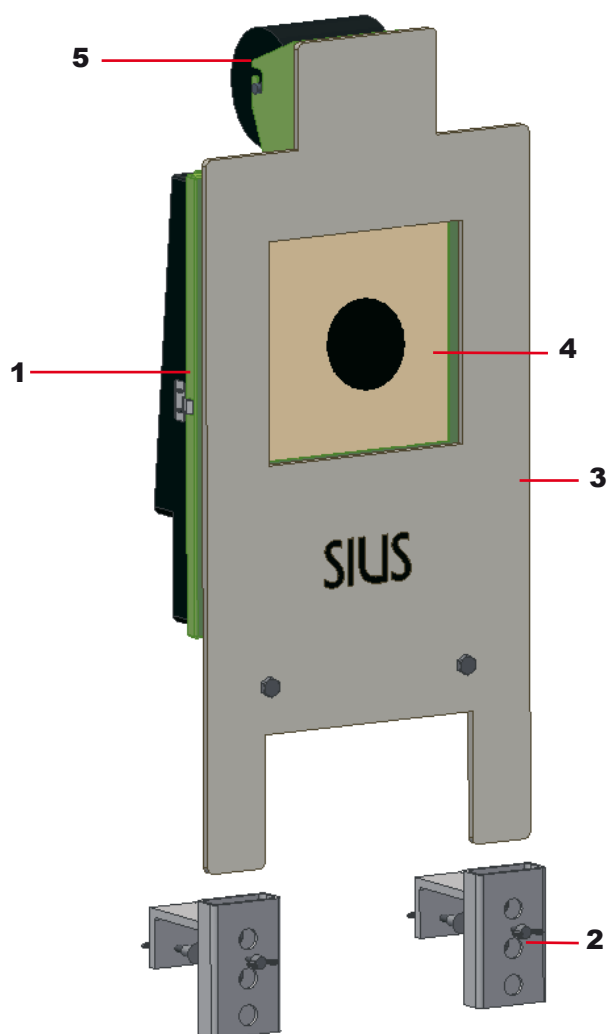
**Target for small bore rifles, S10**

The reinforced front frame PPS10 permits the utilization of the target S10-LON for shooting with small bore rifles. The target S10 can be placed onto the reinforced front frame PPS10. The reinforced front frame itself is equipped with feet that fit into the target holder HS25.

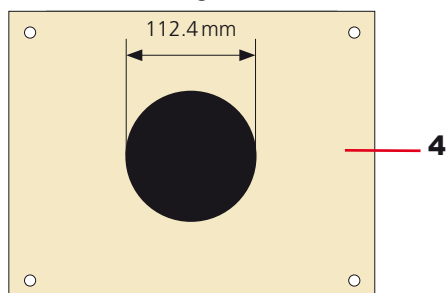
**CAUTION**

A **corresponding bullet trap** must be used for shooting the S10 with **small bore rifles**. The **wall-mounted target holder WHS10** can not be used for small bore shooting.

The **target S10** is **not weatherproof** and must be set-up in a protected area. As paper is used for shot verification, the target may not be left in the open but must be stored in a dry place after use. However, the reinforced front frame itself can be left in the open.



Small bore rifle target front mask 50m



Paper tape roll (shot verification)



Pos.	Article no.	Description
<b>Target S10</b>		
1	S10-LON	Complete target incl. reinforced front frame for airguns. Size (BxHxT): 275x445x75mm, weight: 2.4 kg (without accessory), Consumption: 7.6W, detection surface: 170x170mm.
<b>Optional accessory and spare parts</b>		
2	HS25	Target holder for installation on a board. Size (BxHxT): 280x620x160mm, weight 5.94kg (without target).
3	PPS10	Reinforced front frame S10 for small bore rifles. Size (BxHxT): 557x470x6mm, weight: 11.4 kg (without target).
4	S10A001/10	ISSF small bore rifles target front mask (10 pcs.)
5	S20D001	Paper tape roll

### Country specific power supply cables

The connection between device and socket is achieved with the use of country specific power supply cables. This is provided with the device coupling on one side and with a country specific plug on the other side.



Pos.	Artikel-Nr.	Bezeichnung
1	AA101	Power supply cable with GB plug, 2m
2	AA102	Power supply cable with USA plug, 2m
3	AA109	Power supply cable with CH plug, 2m
4	AA110	Power supply cable with Euro plug, 2m
5	AA126	Power supply cable with AUS plug, 2m



SIUS AG, Im Langhag 1, CH-8307 Effretikon / Switzerland

Phone ++41 52 354 60 60, Fax ++41 52 354 60 66, [www.sius.com](http://www.sius.com), [info@sius.com](mailto:info@sius.com)

**EUROPE**

**Austria**

Fröwis KEG Schiessstandtechnik  
Vorstadt 3, **6800 Feldkirch**  
Phone ++43 5522 72459  
Fax ++43 5522 75087  
[www.froewis.co.at](http://www.froewis.co.at)  
[froewis@froewis.co.at](mailto:froewis@froewis.co.at)

**Belgium**

Micotec, M. Michel Hannick  
198, Rue Henri Maus, **4000 Liège**  
Phone ++32 4 253 33 98  
Fax ++32 4 252 87 33  
[info@micotec.be](mailto:info@micotec.be)

**Croatia**

RS Sport, Mr. Roman Spirelja  
Stubicka ulica 74, **10000 Zagreb**  
Phone ++385 1 5634 535  
Fax ++385 1 3648 898  
[roman.spirelja@sius.com](mailto:roman.spirelja@sius.com)

**Cyprus**

Lapsi Technology Ltd.  
P.O. Box 2198, **Nicosia**  
Phone ++357 275 12 64  
or ++357 275 12 68  
Fax ++357 275 12 67

**Denmark**

SIUS Danmark, Finn Danielsen  
Nattergalevej 11, **8210 Århus**  
Phone ++45 86 10 57 62  
or ++45 22 90 71 62  
[www.sius.dk](http://www.sius.dk), [info@sius.dk](mailto:info@sius.dk)

**France**

S3M Shooting Sport Service  
M. Christian Dandrey  
1, Rue Jean Becquerel  
**77300 Fontainebleau**  
Phone ++33 1 64 22 35 29  
Fax ++33 1 64 22 16 45  
Mobile ++33 6 85 56 48 13  
[christian.dandrey@wanadoo.fr](mailto:christian.dandrey@wanadoo.fr)

**Germany**

Johannsen Schiessstandtechnik GmbH  
Im Tiefenbach 3, **35088 Battenberg**  
Phone ++49 6452 933 20  
Fax ++49 6452 933 21 63  
[www.johannsen.de](http://www.johannsen.de), [info@johannsen.de](mailto:info@johannsen.de)

**Italy**

Aspeco S.R.L.  
Via Guiseppe Sacconi 19  
Pal. E – Scala A, **00196 Roma**  
Phone ++39 06 32 43 210  
Fax ++39 06 32 11 08 26  
Mobile ++39 348 410 37 83

**Netherlands**

Nedinsco BV  
Jan van Riebeeckweg 5, **5928 LG Venlo**  
P.O. Box 40, **5900 AA Venlo**  
Phone ++31 77 355 8777  
Fax ++31 77 351 8787  
[www.nedinsco.com](http://www.nedinsco.com)

**Norway**

El-Score, Mr. Ottar Dalset  
Romsdalsveien 6, **6300 Åndalsnes**  
Phone ++47 911 29 200  
or ++47 712 23 918  
[dalset-o@online.no](mailto:dalset-o@online.no)

**Portugal**

Siatron Electrónica Profissional Lda  
Rua Júlio Dinis, 6–7° esq  
**2685-215 Portela**  
Phone ++351 21 943 0454  
Fax ++351 21 943 1945  
[www.tradesegur.com](http://www.tradesegur.com)  
[siatron@mail.telepac.pt](mailto:siatron@mail.telepac.pt)

**EUROPE**

**Spain**

Tradesegur S.A.  
C/ La Granja, 30  
Pol. Ind. Alcobendas, **28014 Madrid**  
Phone ++34 91 360 51 23  
Fax ++34 91 523 12 27  
[www.tradesegur.com](http://www.tradesegur.com)  
[comercial@tradesegur.com](mailto:comercial@tradesegur.com)

**Sweden**

SIUS Miatron AB  
Målbyvägen 26, **722 33 Västerås**  
Phone ++46 21 600 13  
Fax ++46 21 600 13  
Mobile ++46 70 565 00 02  
[www.sius.se](http://www.sius.se)  
[kjell.pettersson@miatron.se](mailto:kjell.pettersson@miatron.se)

**Turkey**

ALA International, Mr. Ata Alper  
Turgutlu Sokak 48/2, **06570 Gop Ankara**  
Phone ++90 312 446 88 95  
Fax ++90 312 446 79 71  
[www.alainter.com](http://www.alainter.com), [ataalper@alainter.com](mailto:ataalper@alainter.com)

**MIDDLE EAST**

**Egypt**

City Trade Service, Mr. Sherif Mohsen  
86 Gusir El Suez St., Heliopolis  
**11331 Kairo**  
Phone ++20 2 258 52 41  
Fax ++20 2 256 27 41

**United Arab Emirates**

Mr. Joseph Robehmed  
P.O. Box 41007, Villa 207/Street No. 28  
**Abu Dhabi**  
Phone ++971 4 394 8464  
Fax ++971 4 394 6322  
Mobile ++971 5 0622 9488

**ASIA**

**Bangladesh**

Vision Trade International  
Mr. Asif Hossain  
Modern Mansion (4th floor)  
53, Motijheel CA, **1000 Dhaka**  
Phone ++880 2 956 10 81  
Fax ++880 2 956 52 89  
[vision@agni.com](mailto:vision@agni.com)

**China**

Beijing Holy Brother Commercial Co. Ltd.  
Mr. Jian Xue Hua  
Room 1707 Sohu, 88 Jianguo Road  
Chaoyang District, **Beijing 100022**  
Phone ++86 10 8589 8677  
Fax ++86 10 6551 2052

**India**

Tremendous Shooting Industries  
Mr. Kamal Sain  
Mandi Chowk, Ganesh Street  
**Moradabad 244001**  
Phone ++91 999 779 81 77  
[tremendousshooting.com](http://tremendousshooting.com)  
[info@tremendousshooting.com](mailto:info@tremendousshooting.com)

**Indonesia**

PT Antelope Business Indonesia  
c/p Ms. Yuniarti Ilyas Senayan  
Shooting Range 1st Floor  
Gelora Bung Kamo Sport Complex  
**Jakarta 10270**  
Phone ++62 811 818 755  
[www.antelopebiz.com](http://www.antelopebiz.com)  
[sales@antelopebiz.com](mailto:sales@antelopebiz.com)

**ASIA**

**Japan**

Japan Beam Co., Ltd., Mr. A. Kuroiwa  
Level 28, Shinagawa Intercity Tower A  
2-15-1, Konan, Minato-ku **Tokyo 108-6028**  
Phone ++81 3 6717 4256  
Fax ++81 3 6717 4257  
[www.japanbeam.com](http://www.japanbeam.com)  
[info@japanbeam.com](mailto:info@japanbeam.com)

**Malaysia**

Munora Holdings, Mr. Musa Khatib  
P.O. Box 12483, No. 26 Jalan Lumut  
Damai Kompleks, **50780 Kuala Lumpur**  
Phone ++603 442 1122  
or ++603 442 0634 or ++603 442 4703  
Fax ++603 442 6152

**South Korea**

SwiTech Co., Ltd.  
4th Floor Raipang Building  
66-26, Nonhyun-Dong, Kangnam-Ku **Seoul**  
Phone ++82 2 576 8283  
Fax ++82 2 576 8189  
Mobile ++011 587 8775  
[www.siuskorea.co.kr](http://www.siuskorea.co.kr)  
[kibong@siuskorea.co.kr](mailto:kibong@siuskorea.co.kr)

**USA**

**United States of America**

SIUS Target Systems USA, Inc.  
Mr. Jeff Douglas  
3025-A McNaughton Road  
**Columbia, South Carolina 29223**  
Phone ++1 803 699 1800  
Fax ++1 803 699 0038  
Mobile ++1 803 315 8807  
[siustgtsys@aol.com](mailto:siustgtsys@aol.com)

Shot Response, LLC,  
Mr. Glenn Goodwin  
124 Meat Plant Road  
**Lexington, South Carolina 29073**  
Phone ++1 803 319 8682  
Fax ++1 803 808 3300  
[www.shotresponse.com](http://www.shotresponse.com)  
[info@shotresponse.com](mailto:info@shotresponse.com)

**SOUTH AMERICA**

**Chile**

Sr. Mario Basualdo Misto  
Valenzuela Puelma No 7761-B  
La Reina, **Santiago**  
Phone ++56 2 813 1342  
Fax ++56 2 273 7897

**Mexico**

Sistemas e Ingeniería de Calidad S.A. de C.V.  
Sr. Carlos Martínez Negrete C.  
Av. Jorge Alvarez del Castillo 1135-12  
**Guadalajara Jal.**  
Phone ++52 33 3853-0342  
Fax ++52 33 3137-9067  
[carman@prodigy.net.mx](mailto:carman@prodigy.net.mx)

**Peru**

Amézaga Representaciones S.A.  
Sr. Carlos F. Amézaga  
Justo Vigil 380, Magdalena del Mar  
**Lima 3217**  
Phone ++51 1 264 0297

**Venezuela**

CODARCA, Sr. Alfredo S. Torrealba  
Av. Libertador con Av. Sorocaima  
Edif. Edifica, Piso 2, Ofic. 2-A,  
El Rosal Municipio Chacao, **Caracas**  
Phone ++58 212 951 54 27  
Fax ++58 414 272 33 91